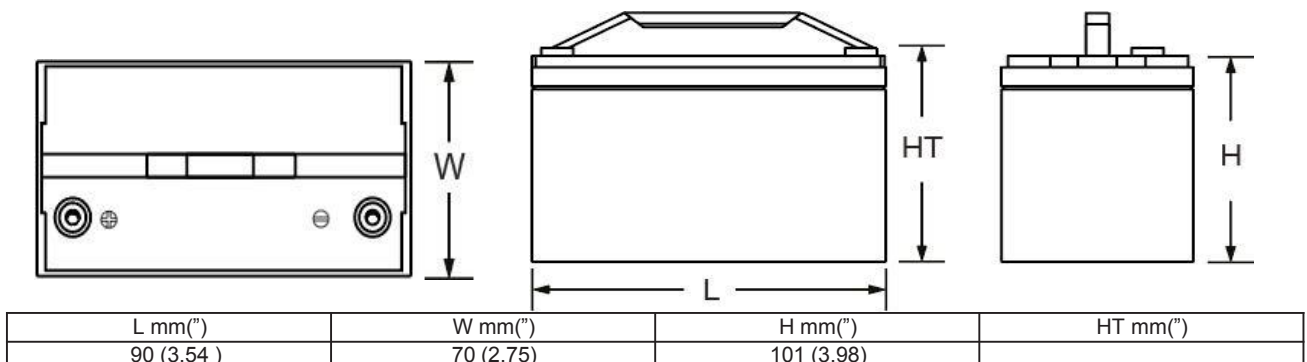


KJ 12.8V4Ah
磷酸铁锂电池组
LITHIUM IRON PHOSPHATE BATTERY

电性能ELECTRICAL PERFORMANCE	
标称电压Nominal Voltage	12.8 V
标称容量Nominal Capacity	4 Ah
标准充电时间Capacity @ 0.2A	300 min
功率Energy	51.2 Wh
内阻Resistance	≤180 mΩ @ 50% SOC
自耗电Self Discharge	<3% / Month
电芯Cells	26650 Cell 3.2V4Ah
充电性能CHARGE PERFORMANCE	
标准充电电流	2 A
Recommended Charge Current	
最大充电电流Maximum Charge Current	5 A
建议充电电压	14.6 V
Recommended Charge Voltage	
保护板充电截止电压	<14.8 V (0.5 ~ 1.5 s)
BMS Charge Cut-Off Voltage	
充电恢复电压Reconnect Voltage	>14.2V
均衡电压Balancing Voltage	<14 V
串联最大容量Maximum Batteries in Series	4
放电性能DISCHARGE PERFORMANCE	
持续放电电流	2A
Continuous Discharge Current	
最大放电电流 MAX Discharge Current	5 A
保护板最大截止放电电流	10 A (5 ~15 ms)
BMS Discharge Cut-Off Current	
建议截止低电压	10 V
Recommended Low Voltage Disconnect	
保护板放电截止电压	>8.2 V (50 ~ 150 ms)
BMS Discharge Cut-Off Voltage	
放电恢复电压Reconnect Voltage	>9.2V
短路保护Short Circuit Protection	80 ~ 200 μs

外形尺寸OUTLINE DIMENSION


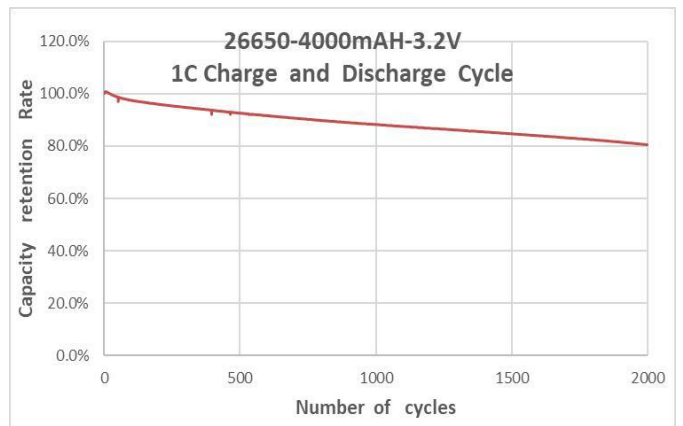
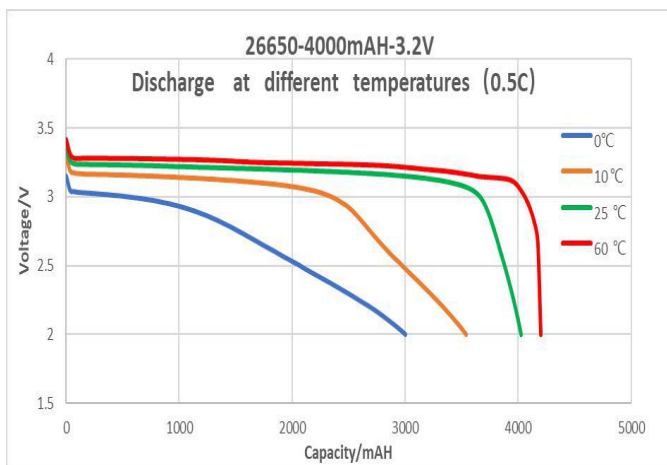
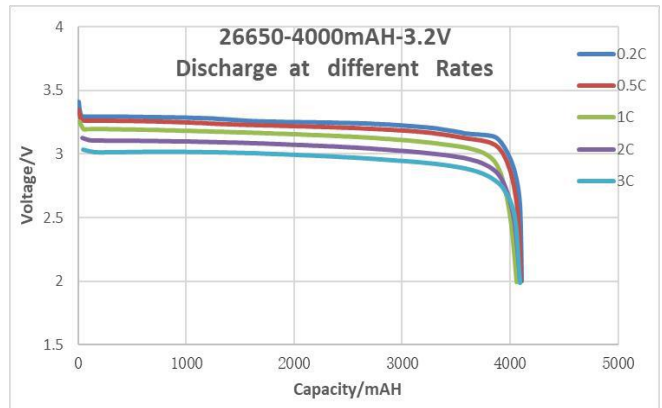
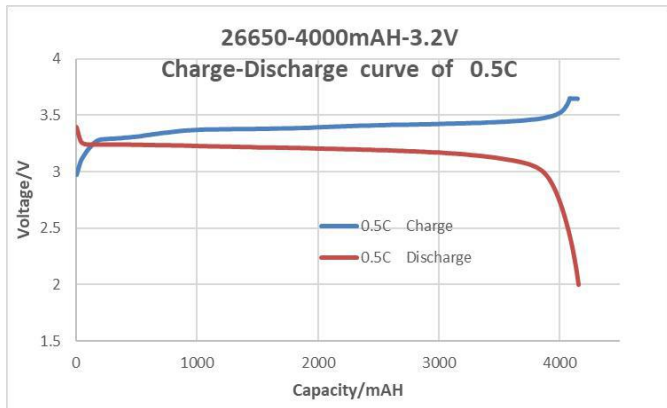
机械性能MECHANICAL PERFORMANCE	
尺寸（长X宽X高）	90 x 70 x101 mm
Dimension (L x W x H)	3.54 x2.75 x 3.98"
重量Approx. Weight	0.65 kg
端子类型Terminal Type	T2
终端扭矩Terminal Torque	80 ~ 100 in-lbs (9 ~ 11 N-m)
外壳材质Case Material	ABS
防护等级Enclosure Protection	IP65

温度性能TEMPERATURE PERFORMANCE	
放电温度Discharge Temperature	-4 ~ 140 °F (-20 ~ 60 °C)
充电温度Charge Temperature	32 ~ 113 °F (0 ~ 45 °C)
储存温度Storage Temperature	23 ~ 95 °F (-5 ~ 35 °C)
保护板截止高温	149 °F (65 °C)
BMS High Temperature Cut-Off	
保护板恢复温度	118 °F (48 °C)
Reconnect Temperature	

认证COMPLIANCE	
证书Certifications	CE UN38.3 UL1642 & IEC62133
运输证书Shipping Classification	UN 3480, CLASS 9

KJ 12.8V4Ah

性能特性 PERFORMANCE CHARACTERISTICS



KJ 12.8V4Ah

功能和好处FEATURES & BENEFITS



高循环寿命High cycle life

>2000循环@80%低成本方案电池组。
>2000 cycles @80% DoD for effectively lower total cost of ownership.



更长使用寿命Longer service life

低维护电池，化学材料稳定，易于监控智能型号的电荷状态。
Low maintenance batteries with stable chemistry. Easily monitor state of charge (SoC) of smart models.



内置电路保护Built in circuit protection

电池管理系统(bms)可保护由于使用不当。
Battery Management Systems (BMS) are incorporated against abuse.



方便储藏Better storage

由于其极低的自释放率及无硫化风险，因此可长达6个月。

Up to 6 months thanks to its extremely low self discharge (LSD) rate and no risk of sulphation.



快速充电Quickly recharge

节省时间，提高生产效率，减少下行次数，提高充放电效率。
Save time and increase productivity with less down time thanks to superior charge/discharge efficiency.



极端耐热性Extreme heat tolerance

适用于环境温度异常的领域:高达60°C。
Suitable for use in a wider range of applications where ambient temperature is unusually high: up to +60°C.



轻便Lightweight

同等容量，锂电池的重量是铅酸电池的1/3。
Lithium batteries provide more Wh/Kg while also being up to 1/3 the weight of its SLA equivalent.

应用领域APPLICATIONS

锂电池可替代大部分铅酸电池，主要使用范围如下：
Lithium Iron Phosphate can be used in most applications that use Lead Acid, GEL or AGM type batteries.
Suitable applications include:

- 大篷车Caravan
- 海洋巡航车Marine
- 高尔夫球车Golf Car
- 四轮车Buggies
- 太阳能存储Solar Storage
- 远程监控Remote Monitoring
- 切换应用程序等等Switching applications and more

注意事项CAUTIONS

- 禁止短路、挤压或拆卸
- Do NOT short circuit, crush or disassemble.
- 禁止加热或焚烧
- Do NOT heat or incinerate.
- 禁止浸泡在任何液体中
- Do NOT immerse in any liquid.
- 以50% 容量储存。每三个月充电一次。贮存环境应清洁、阴凉、干燥及通风。
- Store at 50% capacity. Recharge every 3 months. The storage area should be clean, cool, dry and ventilated.

性能可能会因应情况有所变动，所有规格如有更改，恕不另行通知，此数据仅用于评估，这不能作为保证或担保。如需查询详情及最新资讯，请与我们联系。

Performance may vary depending on application. All specifications are subject to change without prior notice to the user. This data is for evaluation purposes only. No guarantee is intended or implied by this data. For clarification and updated information, please contact us.

